

SLOIN slim K 1010 BK LYNX activated

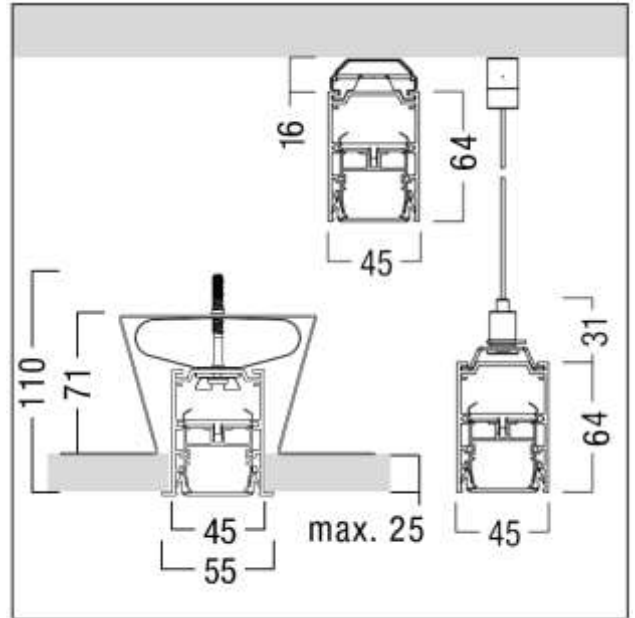
Channel for LED-light line

Channel for LED light line made of aluminum for installing in plasterboard ceilings, for surface-mounting and suspending, black powder coated. End cap set not included; Luminaire wired with halogen-free leads. Dimensions: 1010 x 45 x 64 mm. Weight: 1 kg. This SLOIN slim consists of a channel, LYNX activated LED-batten, cover and accessories, which have to be configured and ordered separately. This product is one part of the complete configuration.

On-board WiFi is used as the primary connection to the LYNX[®] server. On-board BLE can be used for detection of Bluetooth peripherals (e.g. remote controls) and for localisation purposes where the Bluetooth data can be forwarded to the LYNX[®] server.



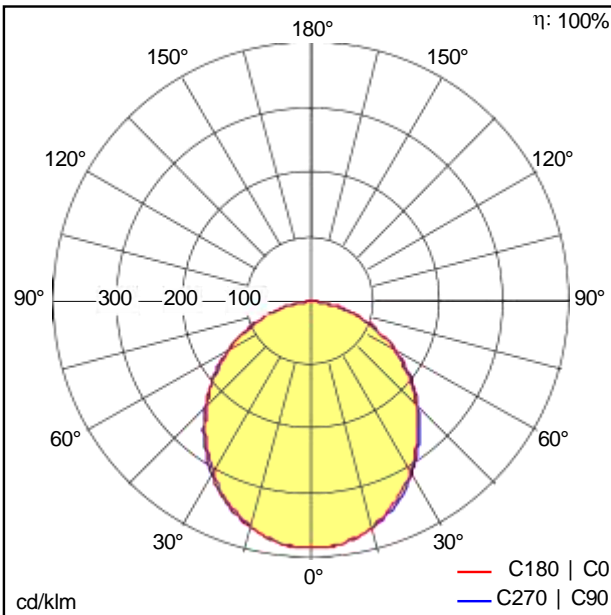
ZS_SLI_F_slim_Einzelleuchte_BK.jpg



ZS_SLI_M_slim_Winkel_alle.wmf

Light Distribution

4000 K PC



D45531AA_SSLIM B L1003 LL PC #CALC.Idt

- Light Source: 216 LED/m, 108 white and 108 RGB
- Luminaire luminous flux*: 1442 lm (just white LED)
- Luminaire efficacy*: 46 lm/W
- Colour Rendering Index min.: 80
- Correlated colour temperature: 4000 Kelvin + RGB
- Chromaticity tolerance (initial MacAdam): 3
- Rated median useful life*: L85 50000h at 25°C
- Driver: 1x Lifeline-driver
- Power supply: 1x TR LLC/VLM 60E
- Luminaire input power*: 31,5W
- Power factor = 0,98
- Stand-by power*: 0,9 W
- Controls: LYNX Wifiradio 802.11 b/g/n 2.4 GHz
- BLE versie: 4.2 BR EDR BLE

All values marked with an * are rated values. Luminous flux and connected electrical load are subject to an initial tolerance of +/- 10%. Unless stated otherwise, the values apply to an ambient temperature of 25°C.

